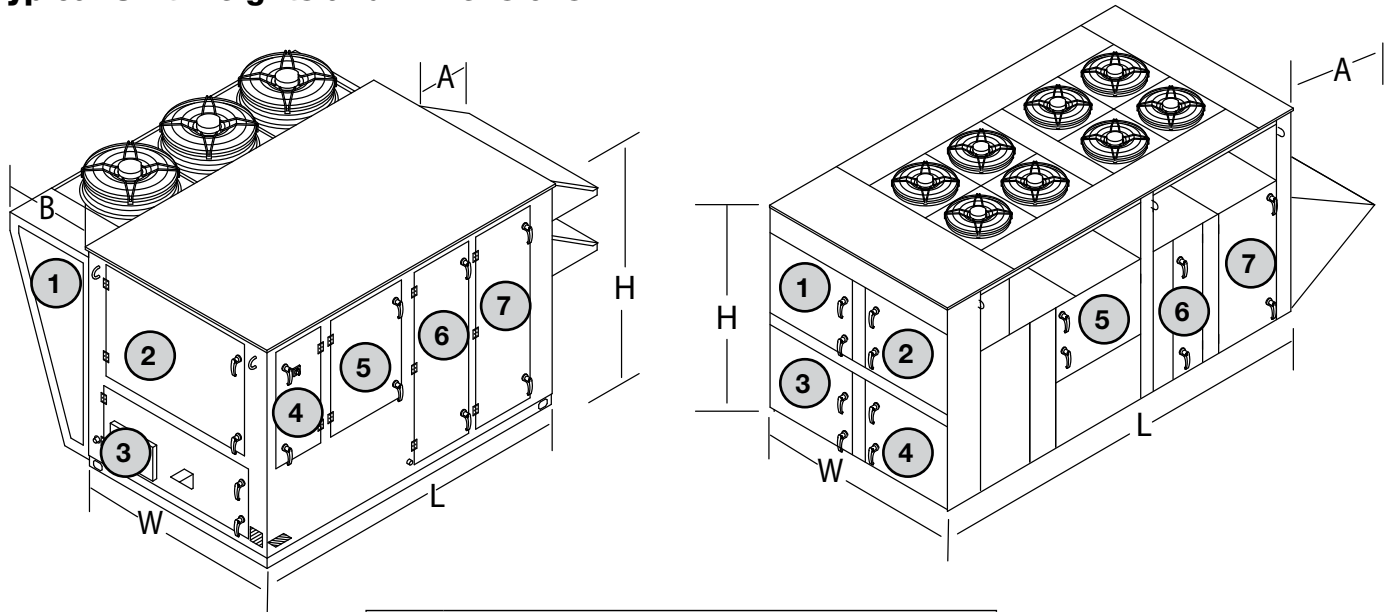


Installation

Typical Unit Weights and Dimensions



Component Access	
1	Optional Inverter Compressor
2	Optional Compressor/Electrical
3	Optional Gas Furnace/Optional Electric Heater
4	Electrical
5	Supply Blower
6	Coil
7	Filters
8*	Exhaust Blower/Optional Electric Preheat

* When a powered exhaust fan (or RVE) is selected, door 8 will be to the immediate right of door 7.

Unit Size	Nominal tonnage (tons)	Height (H)	Width (W)	Length (L)	Intake (A)	Condensing Section (B)	Nominal weight (lbs)	Outdoor Intake	Supply Discharge	Return Intake	Exhaust Discharge
VX-112	5-15	59.3	52.5	98.6	22.1	30.1	2,700	End	Bottom or Side	Bottom, End** or Side*	End ⁺ or Side*
VX-212	15-30	72.5	68.2	109	27.7	30.1	4,500				
VX-311	25-45	90	68	156	22/27 [^]	30	6,400				
VX-352	30-70	99.5	96	185	52.5	NA	7,950			Bottom or Side	Side
VXE-112	5-15	59.3	52.5	149.5/180.5 [‡]	22.1	30.1	3,400	End	Bottom or Side	Bottom, End** or Side*	End ⁺ or Side*
VXE-212	15-30	72.5	68.2	163.2/197.2 [‡]	27.1	30.1	5,100				
VXE-311	25-45	90	68	224	22/27 [^]	30	8,300				
VXE-352	30-70	99.5	96	263 [#] /307 [‡]	47	NA	10,450			Bottom or Side	Side

All dimensions are shown in inches. Weight is shown in pounds and includes largest supply and exhaust fans, PDX with reheat, largest indirect-gas fired furnace, and all dampers. Actual weights will vary based on the unit configuration.

* Only available with powered exhaust

** Only available without barometric relief

⁺ Only available with barometric relief

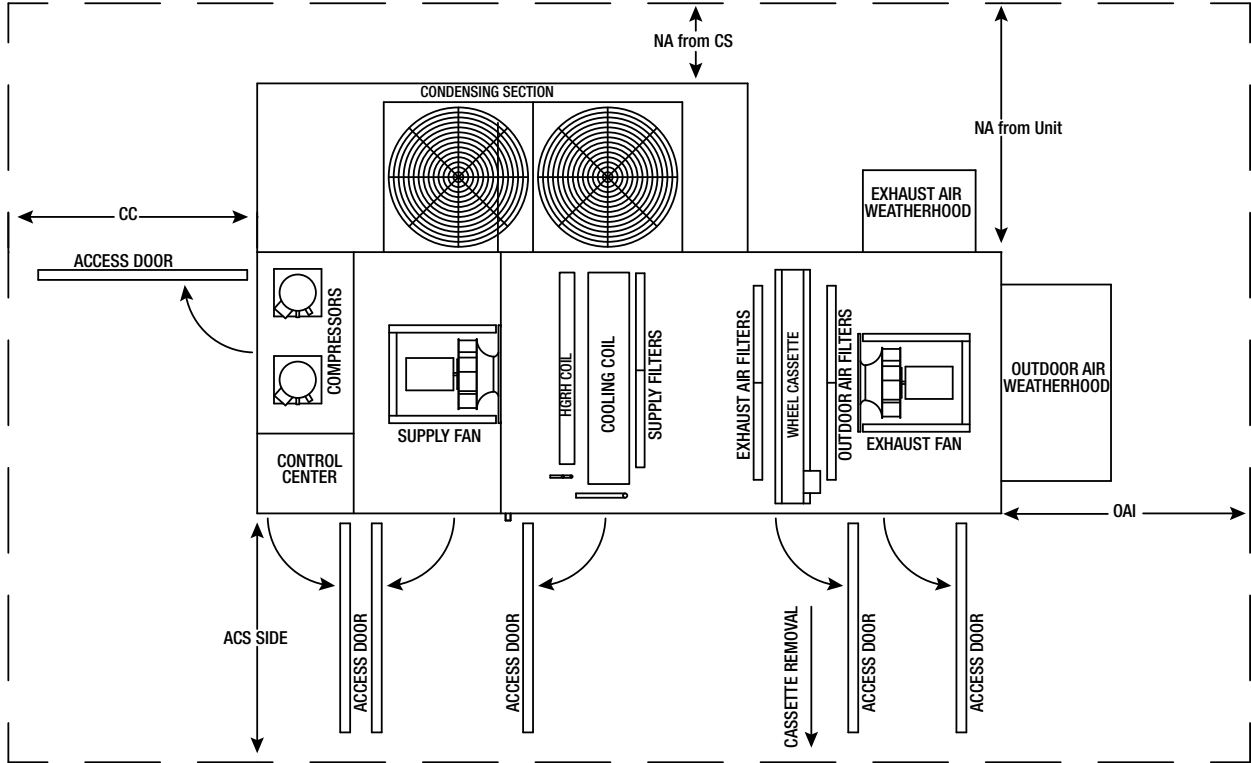
[^] Above 12,000 cfm

[‡] Length with side return

[#] Length with bottom return

Installation

Service Clearances



Unit Size	ACS Access Side	CC Control Cabinet End		OAI Outdoor Air Intake		*NA from Unit	NA from Condensing Section	NA from Piping Vestibule (not shown)
		Other	Indoor Mounted with IG Furnace	Outdoor Mounted	Indoor Mounted			
VX-112	40	42	72	42	18	24	18	30
VX-212	36	58	72	42	18	24	18	30
VX-311	36	52	N/A	58	18	24	18	30
VX-352	48	48	N/A	48	N/A	48	N/A	N/A
VXE-112	40	42	72	42	18	24	18	30
VXE-212	36	58	72	42	18	24	18	30
VXE-311	36	52	N/A	58	18	24	18	30
VXE-352	48	48	N/A	48	N/A	48	N/A	N/A

All dimensions are shown in inches.

*No condensing section or piping vestibule, or unit has top condensing section.