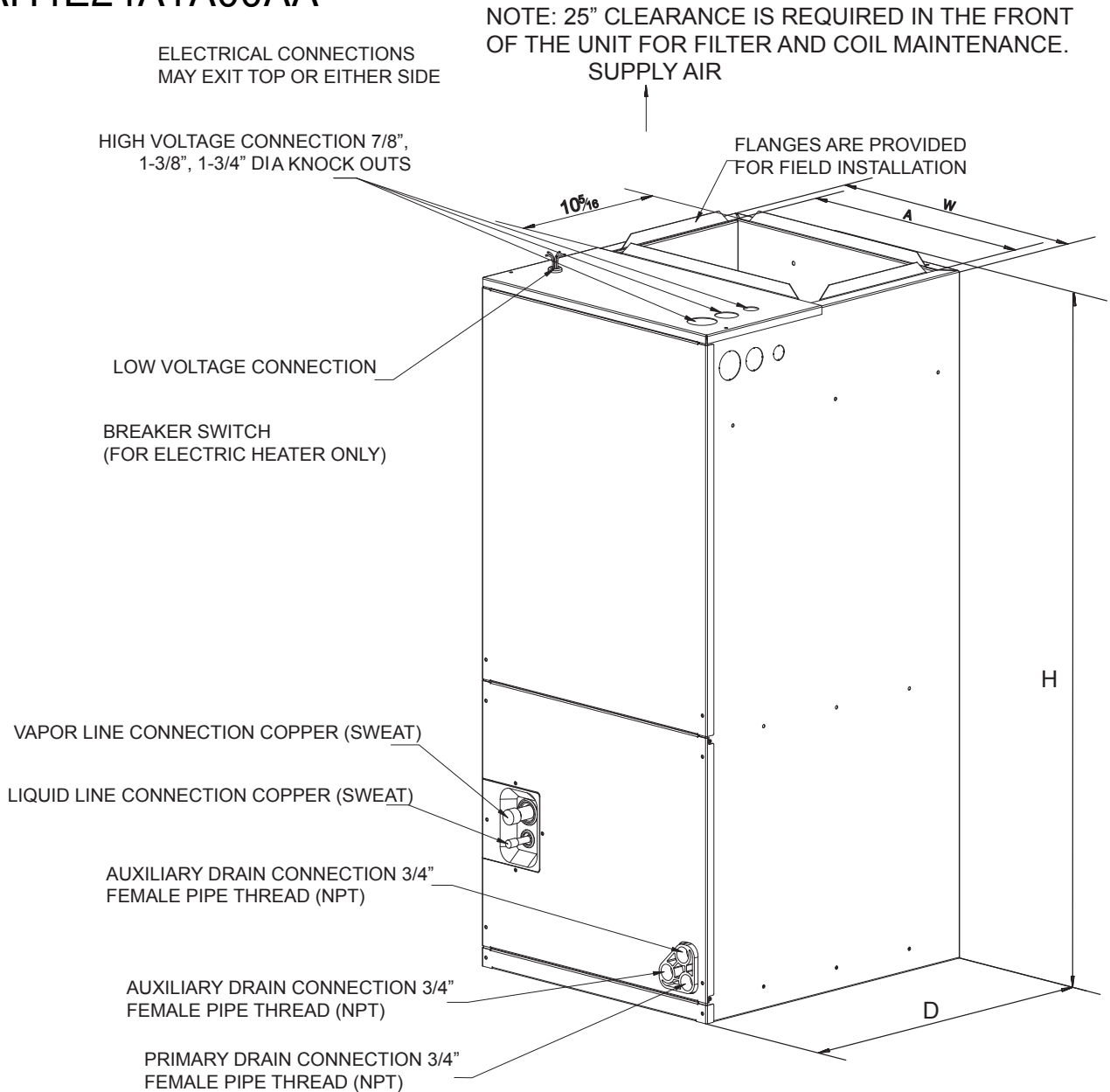


TAG: _____

SUBMITTAL

**2.0 Ton
Multi-position Air Handler
J4AH4E24A1A00AA**



UPFLOW UNIT SHOWN;
UNIT MAY BE INSTALLED UPFLOW, DOWNFLOW,
HORIZONTAL RIGHT, OR LEFT AIR SUPPLY.

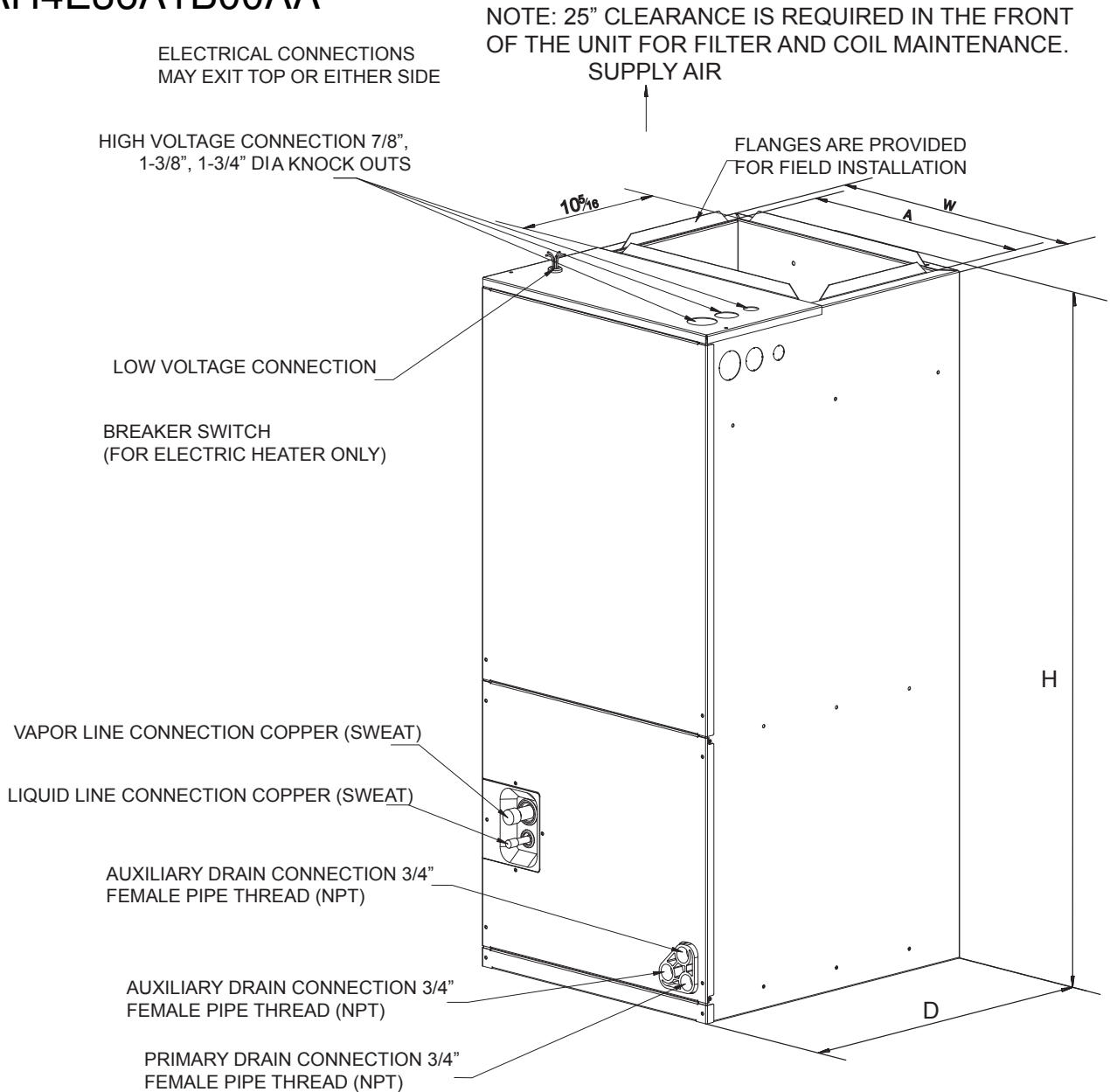
NOTE: All dimensions are in mm/inches.

Model	H	W	D	A
J4AH4E24A1A00AA	1050 (41-3/8)	460 (18-1/8)	520 (20-1/2)	406 (16)

TAG: _____

SUBMITTAL

**3.0 Ton
Multi-position Air Handler
J4AH4E36A1B00AA**



UPFLOW UNIT SHOWN;
UNIT MAY BE INSTALLED UPFLOW, DOWNFLOW,
HORIZONTAL RIGHT, OR LEFT AIR SUPPLY.

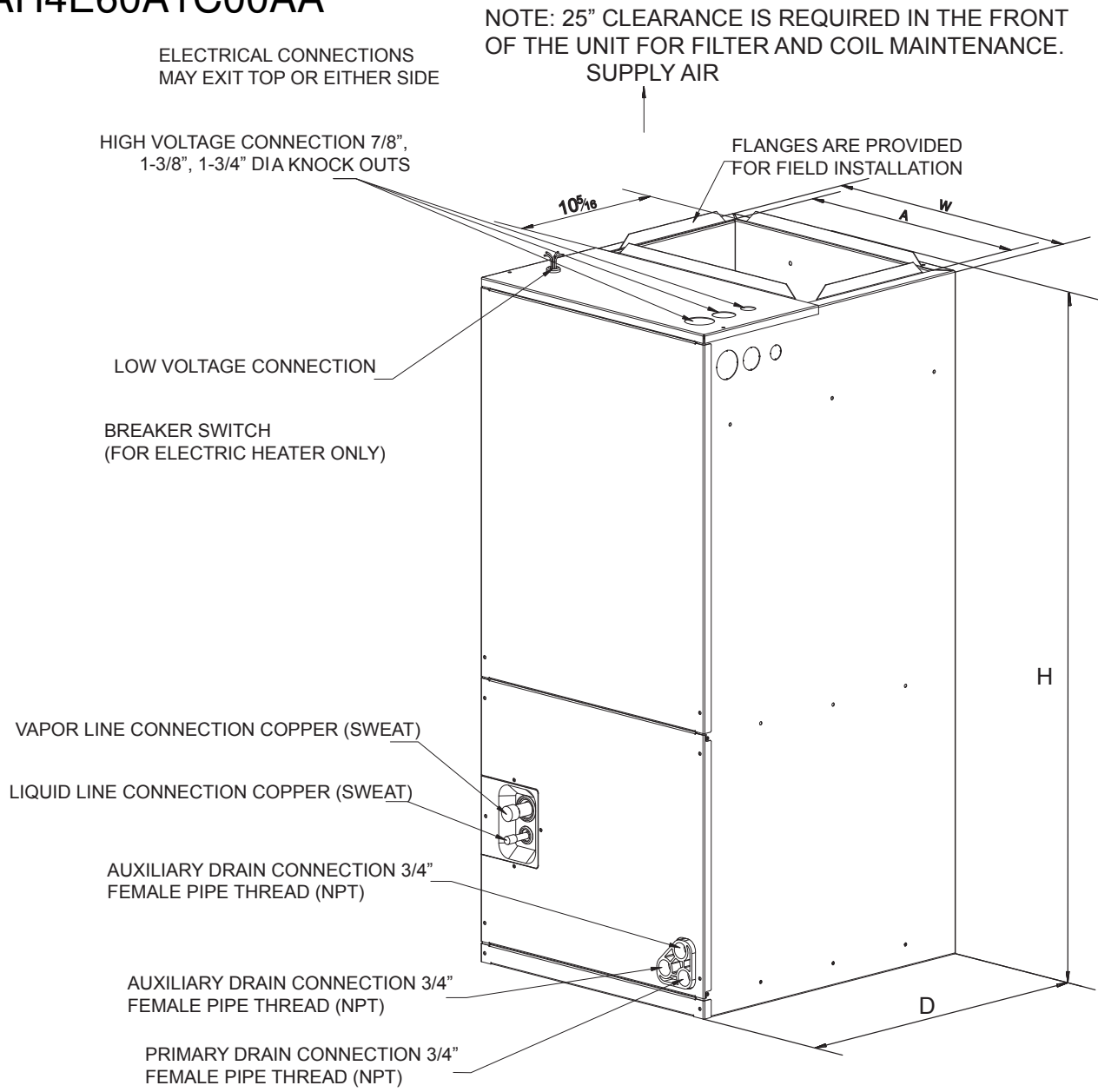
NOTE: All dimensions are in mm/inches.

Model	H	W	D	A
J4AH4E36A1B00AA	1180 (46-1/2)	500 (19-5/8)	550 (21-5/8)	456 (18)

TAG: _____

SUBMITTAL

**5.0 Ton
Multi-position Air Handler
J4AH4E60A1C00AA**



UPFLOW UNIT SHOWN;
UNIT MAY BE INSTALLED UPFLOW, DOWNFLOW,
HORIZONTAL RIGHT, OR LEFT AIR SUPPLY.

NOTE: All dimensions are in mm/inches.

Model	H	W	D	A
J4AH4E60A1C00AA	1385 (54-1/2)	560 (22)	610 (24)	496 (19-1/2)