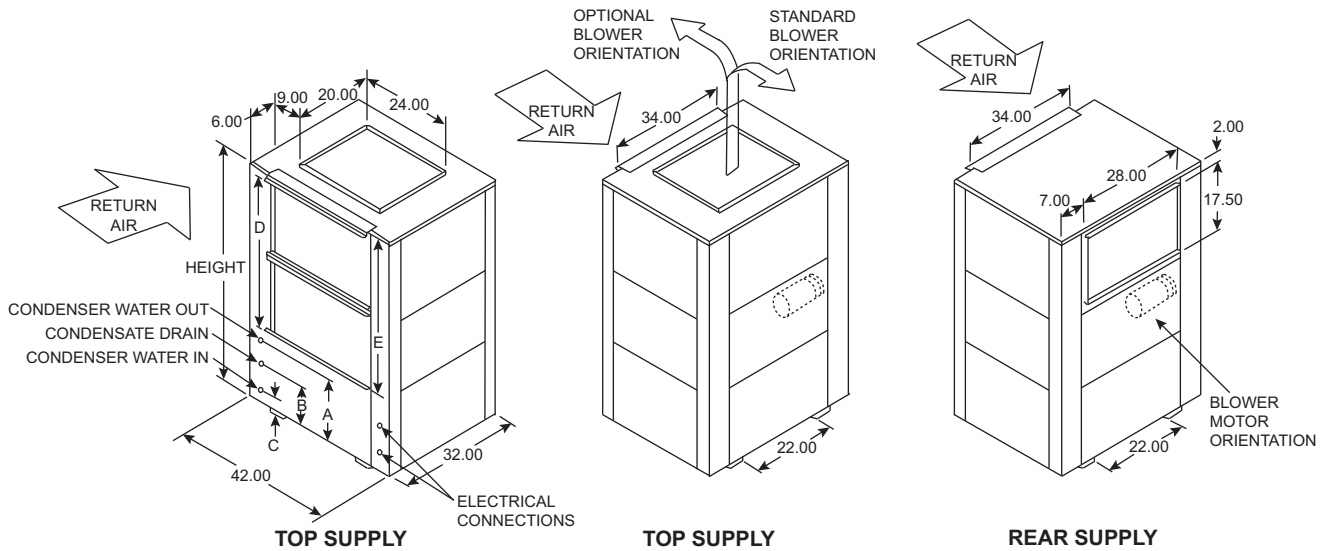
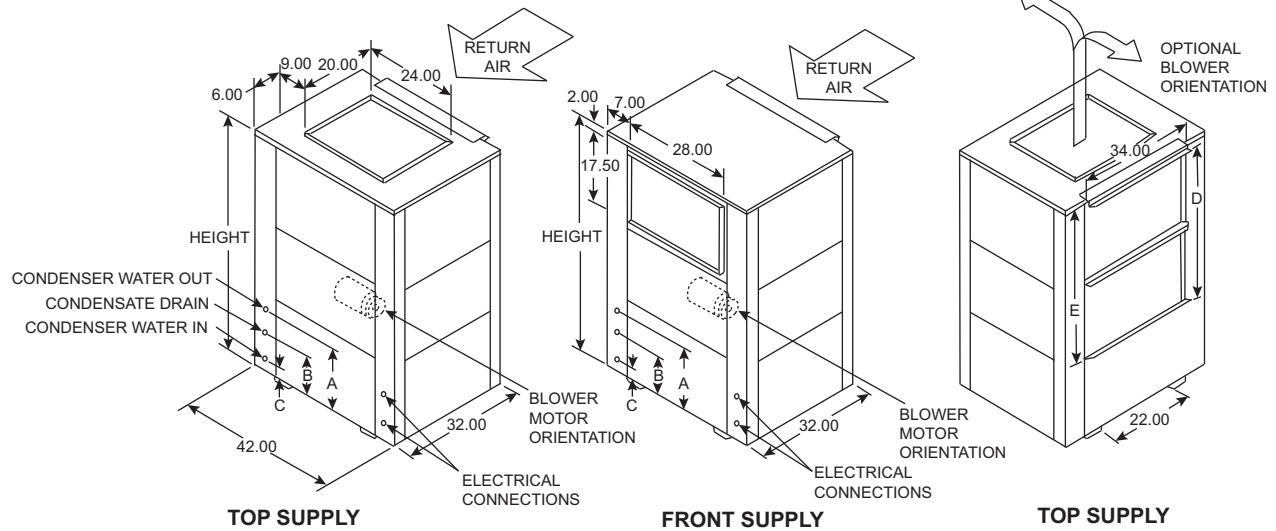


50VQP072-120 UNITS (SINGLE BLOWER LARGE COMMERCIAL-VERTICAL DIMENSIONS)

FRONT RETURN



REAR RETURN



UNIT SIZE	HEIGHT	WIDTH	DEPTH*	CONDENSER WATER CONNECTIONS				DUCT FLANGE D	FILTER RACK E	REPLACEMENT FILTER SIZE (NOMINAL)
				A	B	C	Diameter (FPT)			
072	62.00	42.00	32.00	14.75	8.50	2.75	1	38.00	40.00	20 x 34 ¹ / ₂ x 1 (2)
096	62.00	42.00	32.00	14.75	8.50	2.75	1			
120	62.00	42.00	32.00	15.00	9.00	3.00	1.25			

* When WSHP Open controller is installed increase depth by 3.00 inches.

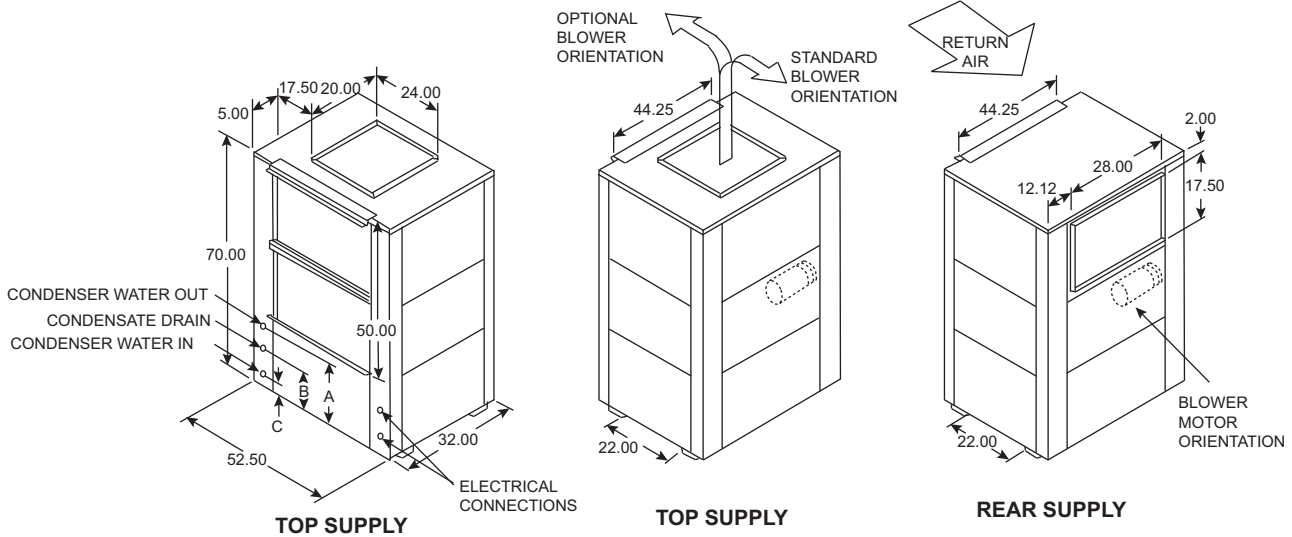
NOTES:

- All dimensions in inches unless otherwise noted. All dimensions within ± 0.125-in. Specifications subject to change without notice. Condensate connections are 0.75 in. FPT on sizes 072 through 120.

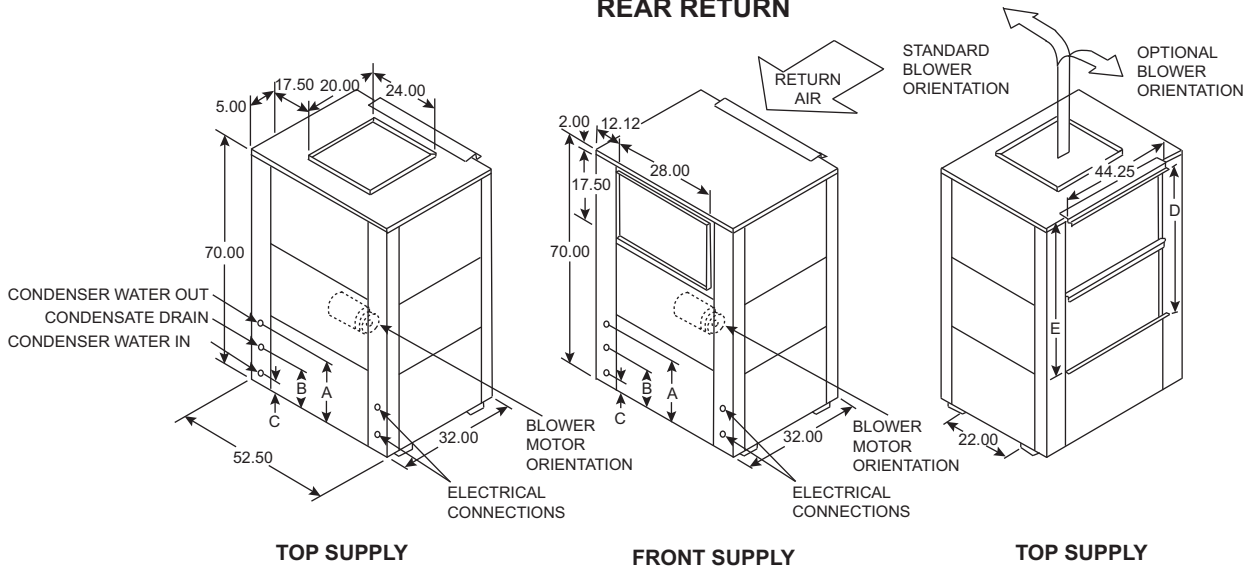
2. Front of unit is side with water and electrical connections.

50VQP151-181 UNITS (SINGLE BLOWER LARGE COMMERCIAL-VERTICAL DIMENSIONS)

FRONT RETURN



REAR RETURN



UNIT SIZE	HEIGHT	WIDTH	DEPTH*	CONDENSER WATER CONNECTIONS				DUCT FLANGE	FILTER RACK	REPLACEMENT FILTER SIZE (NOMINAL)
				A	B	C	Diameter (FPT)	D	E	
151	70.00	52.50	32.00	17.00	10.50	3.00	1½	48.00	50.00	24 x 24 x 1 (4 per unit)
181	70.00	52.50	32.00	17.00	10.50	3.00	1½			

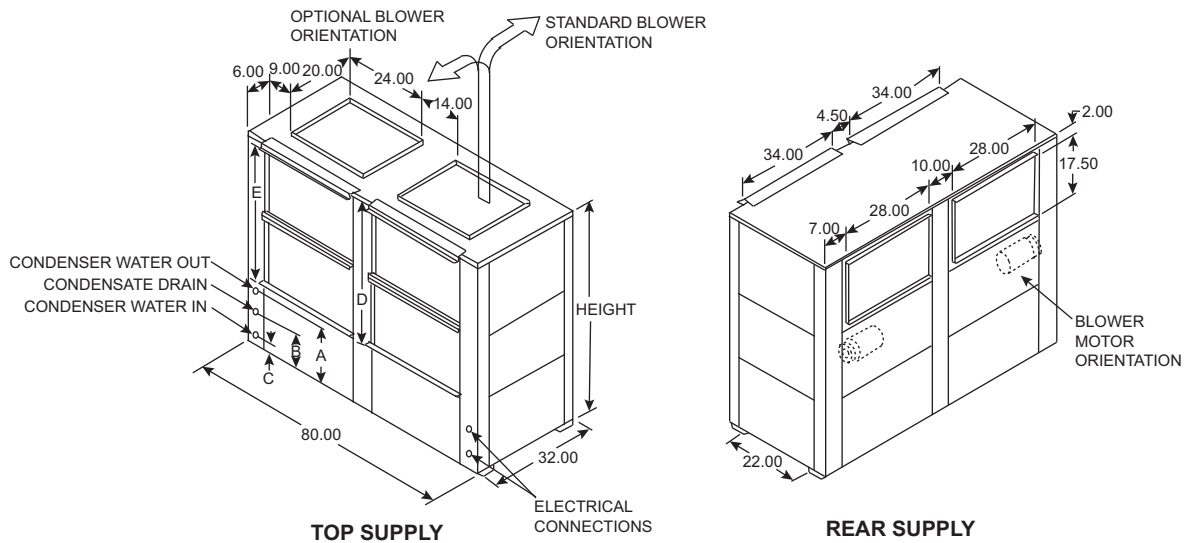
* When WSHP Open controller is installed increase depth by 3.00 inches.

NOTES:

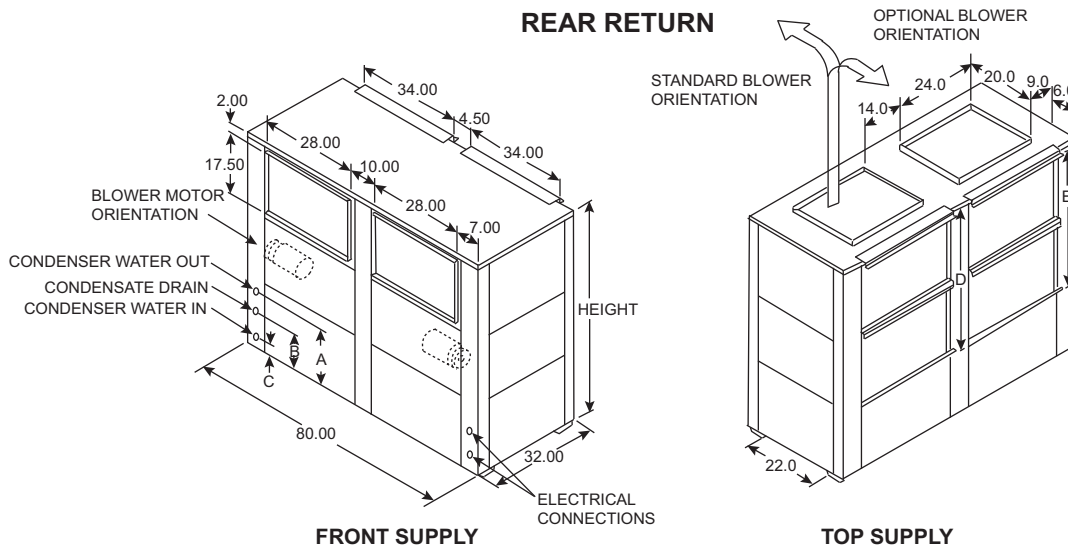
1. All dimensions in inches unless otherwise noted. All dimensions within ± 0.125 -in. Specifications subject to change without notice. Condensate connections are 0.75 in. FPT on sizes 151 and 181.
2. Front of unit is side with water and electrical connections.

50VQP210-360 UNITS (DUAL BLOWER LARGE COMMERCIAL-VERTICAL DIMENSIONS)

FRONT RETURN



REAR RETURN



UNIT SIZE	HEIGHT	WIDTH	DEPTH*	CONDENSER WATER CONNECTIONS				DUCT FLANGE	FILTER RACK	REPLACEMENT FILTER SIZE (NOMINAL)
				A	B	C	Diameter (FPT)	D	E	
210	62.00	80.00	32.00	18.00	8.75	2.75	2	40.00	38.00	20 x 34 ¹ / ₂ x 1 (4 per unit)
240	66.50	80.00	32.00	18.00	8.75	2.75	2	40.00	38.00	
300	66.50	80.00	32.00	18.00	8.75	2.75	2	40.00	38.00	
360	86.50	80.00	32.00	17.00	9.00	3.50	2	60.00	58.00	30 x 34 ¹ / ₂ x 1 (4 per unit, size 360 only)

* When WSHP Open controller is installed increase depth by 3.00 inches.

NOTES:

1. All dimensions in inches unless otherwise noted. All dimensions within ± 0.125-in. Specifications subject to change without notice. Condensate connections are 1.25 in. FPT on sizes 210 through 360.
2. Front of unit is side with water and electrical connections.